

BOXER 42

VACUUM PACKAGING MACHINE



With option Advanced Control System (ACS)

FEATURES

- Standard with 1 seal bar (front): 420 mm
- Standard double seal (two wires). Optional without extra costs: Cut-off/Wide seal
- Seal bar easily removable for cleaning and maintenance purposes
- Pump capacity: 21 m³/h Busch vacuum pump
- Pump maintenance and cleaning program
- Machine cycle: 15-35 sec
- Standard Digital control with Time control and a 10 program memory
- Standard Soft Air to protect the product and vacuum bag
- Deep drawn stainless steel vacuum chamber
- Stainless steel exterior and transparent lid
- Comes with insert plate for a faster cycle and product adjustment

OPTIONS

- 2nd seal bar (front-back)
- 1-2 Cut-off seal
- Sensor control/Advanced Control System (see machine photo)
- Liquid control
- Gas flush

ACCESSORIES

- Zebra ZD410 thermal label printer (only in combination with Advanced Control System)
- Inclined insert plate (for packing liquids)
- Food container adaptor
- Service kit for standard maintenance
- Trolley with shelve

DESCRIPTION

The robust, stainless steel Boxer 42 vacuum packaging machine is standard equipped with a Busch vacuum pump and Digital control with a 10 program memory. This table-top model complies with CE standards.

SEAL BAR CONFIGURATION



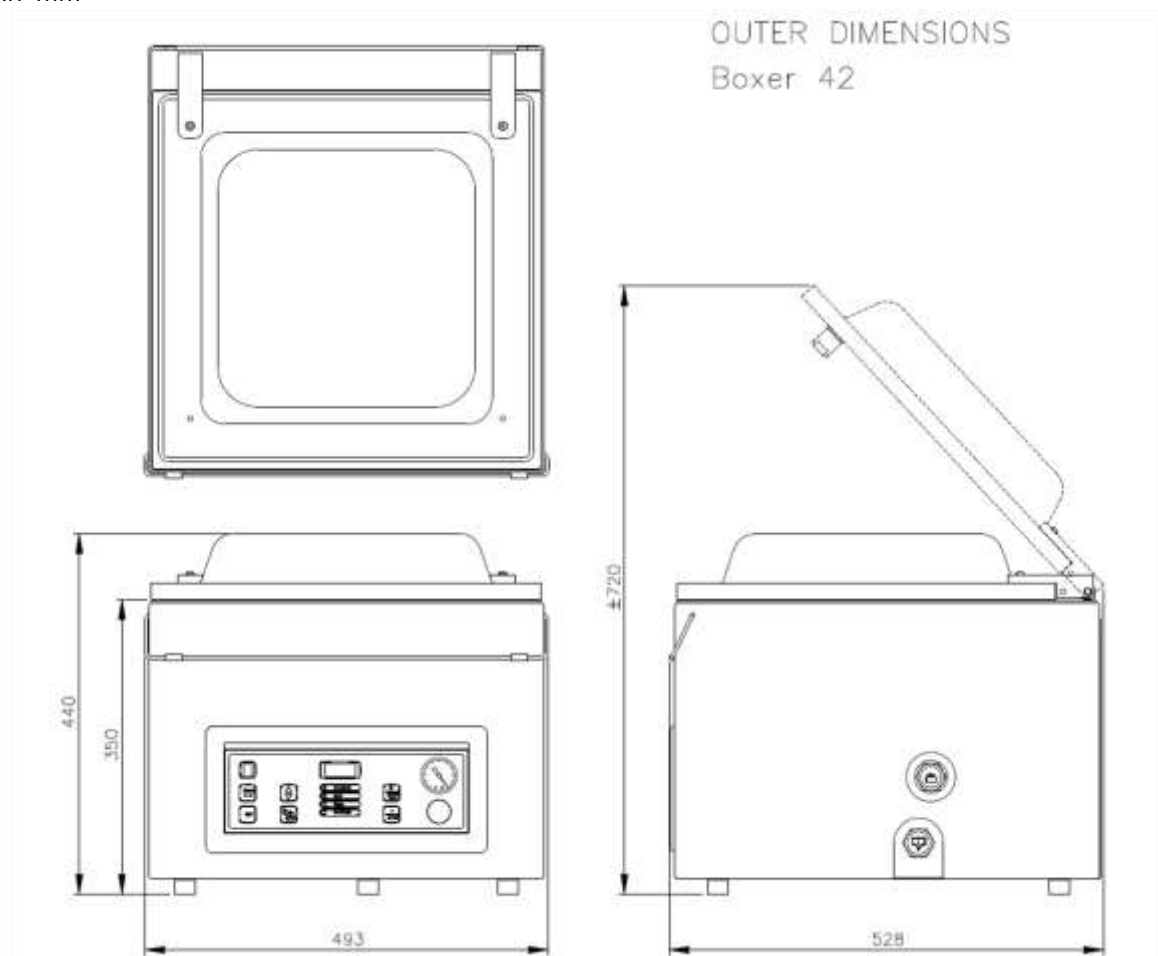
Henkelman offers standard 3 year warranty.

VACUUM PACAGKING MACHINE BOXER 42 – SPECS

VACUUM PACKAGING MACHINE BOXER 42 – SPEC SHEET

DIMENSIONS

In mm



Model	Dimensions (mm)		Voltage* (Hz)	Pump capacity (m ³ /h)	Power (kW)	Weight (kg)
	Chamber (usable space) L x W x H	Machine L x W x H				
Boxer 42	370 x 420 x 180	528 x 493 x 440 528 x 493 x 470 (with 2 seal bars)	230V-1-50	21	0,8	64
* Other voltages available						



HENKELMAN BV
Titaniumlaan 10
5221 CK 's-Hertogenbosch
The Netherlands

Sales support
P +31 73 621 36 71
E info@henkelman.com
Service/technical support
P +31 73 621 36 71
E service@henkelman.com